

# AQUARIUS RS

- Ensure that your residents only pay for their own actual consumption
- Ensure that your property complies with the statutory requirements for individual metering of water
- Monitor the property's water consumption online



**Ensure that residents only pay for their own actual water consumption using a single-jet meter made from the high-quality manufacturer Diehl Metering.**

## Features

The compact water meter, AQUARIUS, can be used to measure cold water and warm water consumption for the purpose of individual consumption billing.

## Features Reading options

AQUARIUS is designed for remote reading. The inbuilt radio module also allows for reading via Brunata Net, which is a radio network that can be set up in all types of properties. Unlike DriveBy, with which the meters are read 1-2 times a year, Brunata Net can update data

If the property has Brunata Net, you can gain access to monitor measurement data via WebMon, which is part of Brunata's online services. WebMon allows both residents and administrators to monitor usage and consumption patterns.

## Functions

- Single-jet impeller meter
- Low start flow and low pressure loss
- Compact design
- Rotatable calculator
- Shielded against magnetic fields in accordance with the VDDW standard and EN 14154

## Facts

- MID-approved
- GDV-approved (approved for Danish drinking water)
- Electronic water meter, which transmits data every second minute, 24/7, 365 days a year
- Single-jet impeller meter
- Available as a warm water meter and cold water meter
- The meter can be installed horizontally or vertically, on riser pipes, downpipes, and with the calculator pointing down in compliance with MID
- The meter can be connected to Brunata Net and thus be monitored via Brunata Online

## In general

AQUARIUS RS	
Temperature range (cold water)	1–30 °C
Temperature range (warm water)	30–90 °C
Nominal pressure	10 bar
Display range	0.1 l to 9.999 m <sup>3</sup>
Ambient temperature when in use	5–55 °C
Ambient temperature when in storage	1–50 °C
Environmental class	B
Ingress Protection	IP 54
Battery life time	Up to 12 years

Nominal flow rate	Q <sub>3</sub>	m <sup>3</sup> /h	2.5	2.5	2.5	4
Length without couplings	L	mm	80	110	130	130
AQUARIUS S (radio module can be retrofitted)			x	x	x	x
AQUARIUS RS (with radio module)			x	x	x	x

## Compliance and approvals

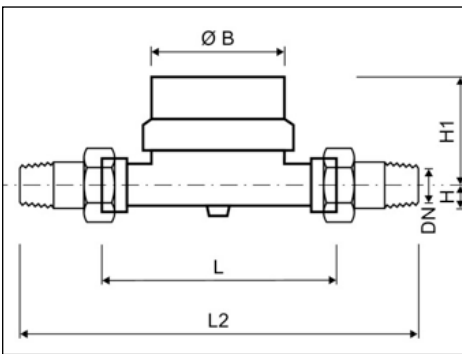
AQUARIUS RS	
Compliance and approvals	MID DE-14-MI001-PTB006, OIML R49, EN 14154, KTW
Dynamic range (Q <sub>3</sub> /Q <sub>1</sub> )	R 80 H / 40 V   40

## Technical data

Nominal flow rate	$Q_3$	m <sup>3</sup> /h	2.5	2.5	2.5	4
Length without couplings	L	mm	80	110	130	130
Internal diameter	DN	mm	15	15	15	20
Overload flow rate	$Q_4$	m <sup>3</sup> /h	3.125*	3.125*	3.125*	5*
Transitional flow rate horizontal	$Q_2$	l/h	50*	50*	50*	80*
Min. flow rate horizontal	$Q_1$	l/h	31*	31*	31*	50*
Start flow rate horizontal		l/h	8	8	8	12
Pressure loss at $Q_3$		bar	0.63	0.63	0.63	0.63

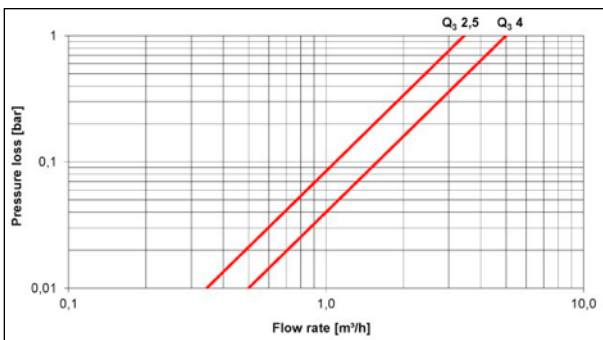
\* at R 80

## Dimensions

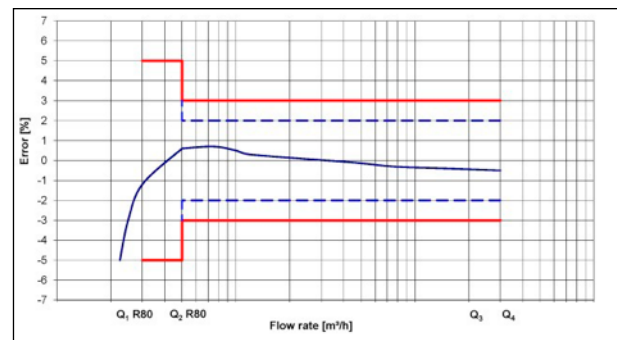


Nominal flow rate	$Q_3$	m <sup>3</sup> /h	2.5	2.5	2.5	4
Length without couplings	L	mm	80	110	130	130
Length with couplings	L2	mm	160	190	210	228
Meter thread		inch	G $\frac{3}{4}$ B	G $\frac{3}{4}$ B	G $\frac{3}{4}$ B	G1B
Coupling thread		inch	R $\frac{1}{2}$	R $\frac{1}{2}$	R $\frac{1}{2}$	R $\frac{1}{4}$
Height	H	mm	14	14	14	17
Height (with module cover)	H1	mm	52	52	52	52
Height (with radio module)	H1	mm	69	69	69	69
Diameter	$\varnothing B$	mm	64	64	64	64
Weight without couplings		kg	0.4	0.44	0.54	0.54
Weight with couplings		kg	0.58	0.64	0.72	0.72

## Pressure loss graph/typical error graph



Pressure loss graph



Typical error graph